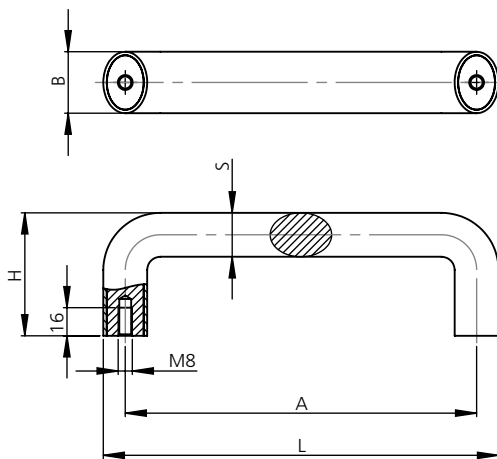


**Handle Series SO**

**Material and surface:**  
Handle core made of aluminum, coated with a heat-resistant silicone colored in anthracite similar to RAL 7016 or orange similar to RAL 2009.

**Stress resistance:**  
min. 1.000 N.

**Note:**  
Heat resistant to 190°C.



A	L	Color	Order number	H	B	S
140	159	anthracite orange	SO-26.S140.7016 SO-26.S140.2009	57	26	19
200	225	anthracite orange	SO-35.S200.7016 SO-35.S200.2009	70	35	25



Cover plate                      Pack of 2 pcs.

Typ	Order number
SO-26	SO-26.S000.49
SO-35	SO-35.S000.49

All dimensions in mm.