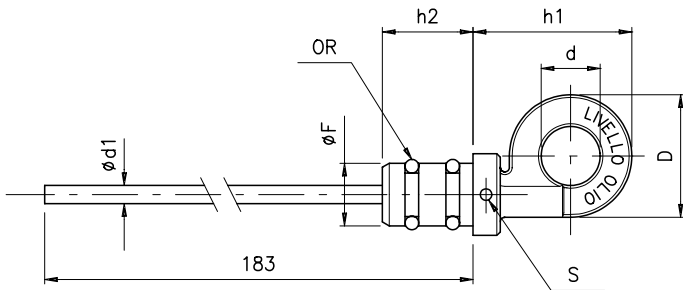
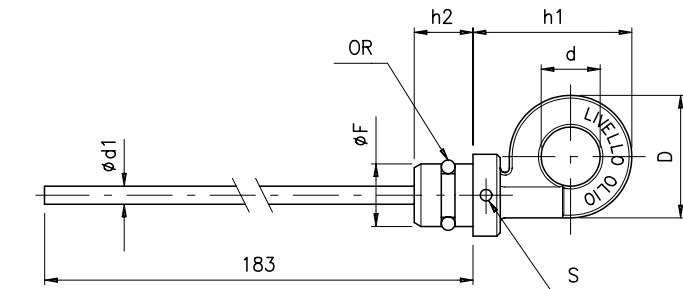


AL/1 - DIPSTICKS, PRESS-FIT - ONE SEAL

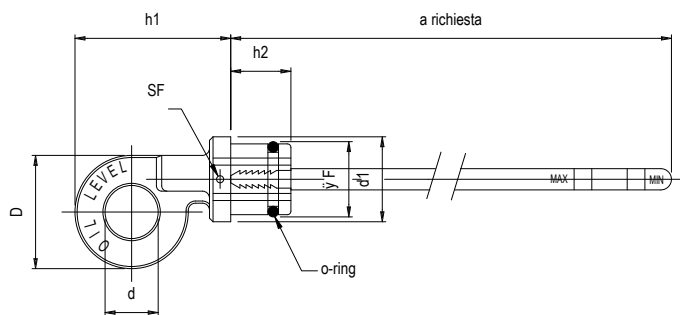
ALS/1 - DIPSTICKS, PRESS-FIT, ONE SEAL AND BREATHER HOLE

AL/2 - DIPSTICKS, PRESS-FIT , TWO SEALS

ALS/2 - DIPSTICKS, PRESS-FIT, TWO SEALS AND BREATHER HOLE



S = Breather hole
OR = O-Ring NBR seal



- Press-fit dipstick with eye-handle made from zinc plated round section steel.

- Handle produced from thermoplastic material (Polyamide 66) featuring excellent mechanical resistance, dimensional stability and shocks resistance ; max working temperature 100°C.

- Delivered with one O-Ring seal (model AL-S/1) or with two O-Rings (model AL-S/2) in NBR 70 Shore.

- Model ALS is provided with a breather hole located in the shoulder of the dipstick handle.

- The standard dipstick is 183 mm in length. but on orders that exceed 250 pieces, the dipstick can be cut to custom

length, and notches can be placed to indicate "MIN-MAX" oil level ; upon request and for adequate quantities the steel dipstick can be supplied with the surface zinc phosphated (dark grey) or burnished (black).

- Special model FLEX - the flexible version level dipstick can be provided upon request for adequate quantities in flat section. The surface finish is protected with zinc phosphate. Laser inscription min/max level indication can also be provided upon request. The flexible dipstick is suitable for applications that require special shaped profiles to be followed.

Cod.	ϕF	D	d	d1	h2	h1
AL-1-14 ALS-1-14	14	27	13	4	13	34
AL-1-18 ALS-1-18	18	32	14	5	17	45
AL-1-20 ALS-1-20	20	32	14	5	18	44,5
AL-2-12	12	30	14	4	20	36
AL-2-14 ALS-2-14	14	27	13	4	20	34
AL-2-18 ALS-2-18	18	32	14	5	21	44
AL-2-20 ALS-2-20	20	32	16	5	21	44