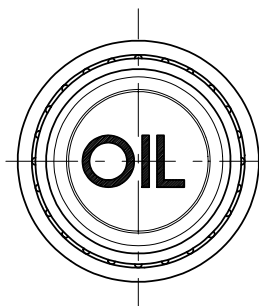


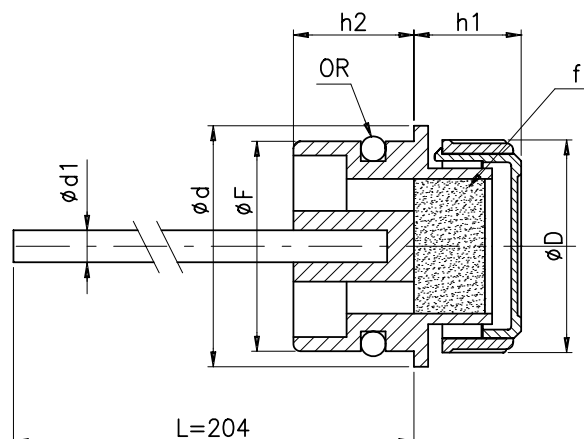
**TPBA** - LOW PROFILE PUSH-FIT FILLER PLUGS WITH DIPSTICK

**TPBAS** - LOW PROFILE PUSH-FIT BREATHER WITH DIPSTICK

**TPBAF** - LOW PROFILE PUSH-FIT BREATHER WITH FILTER AND DIPSTICK



f = Air-filter  
OR = O-Ring NBR seal



- Knurled profile filler plug produced from polyamide 66 (max working temp. 100° Celsius) equipped with a level dipstick made from zinc plated round section.

- Push fit mounting into drilled hole (refer to corresponding sizes shown in table below), tolerance -0 mm + 0.1 mm with 1 mm/45 degree chamfer. The seal is made by NBR 70 Shore hardness o’ring fitted into external moulded groove.

- The standard dipstick is 200 mm in length. but on orders that exceed 250 pieces, the dipstick can be cut to custom length, and notches can be placed to indicate “MIN-MAX” oil level.

- **Special model FLEX:** the flexible version of level dipstick can be provided upon request for adequate quantities in flat

section. The surface finish is protected with zinc phosphate. Laser inscription min / max level indication can also be provided upon request. The flexible dipstick is suitable for applications that require special shaped profiles to be followed.

- The TPBAS/TPBAF models allow high levels of air passage through the vents located on the bottom of the head.

- The TPBAF includes a foam air filter element made from Polyurethane, filtration degree rate 40 micron.

- These low profile plugs and breathers are normally applied where overhead space is limited.

Cod.			F	D	d	h1	h2
TPBA/18	TPBAS/18	TPBAF/18	18	30	23	14	14
TPBA/20	TPBAS/20	TPBAF/20	20	30	24	14	15.5
TPBA/26	TPBAS/26	TPBAF/26	26	30	30	14	16.5
TPBA/30	TPBAS/30	TPBAF/30	30	30	34	14	17