

TPA - PUSH FIT FILLER BREATHERS WITH DIPSTICK

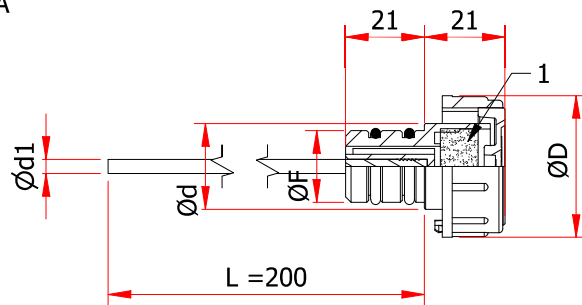
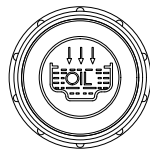
TPFA - PUSH FIT FILLER BREATHERS WITH DIPSTICK AND FILTER

TPFA/BR - PUSH FIT FILLER BREATHERS WITH DIPSTICK AND BRONZE FILTER

TPAV - PUSH FIT FILLER BREATHER DIPSTICK WITH VENT VALVE

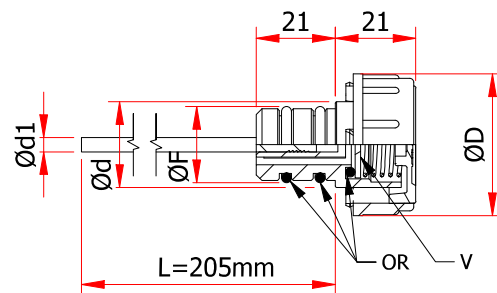
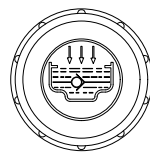


TPFA



1 = Air filter  
2 = One way check valve  
OR = O-Ring NBR seal

TPAV



-Push fit breather with easy grip vertical ribs fit snugly into pre-drilled hole and seals by two O-Rings; hole tolerance 0,1 mm.

-The breather of the serie TPA-TPFA-TPFA/BR-TPAV have the same characteristics of the previous TP-TPF-TPF/

BR-TPV with the addition of a steel dipstick phosphated surface, round section, with standard length mm. 205; on orders that exceed 250 pcs the dipstick can be cut to custom length and notches can be placed to indicate MIN-MAX oil level.

Code	Code	Code	F	D	d	d1
TPA/18	TPFA/18	TPAV/18	18	36	23	4
TPA/20	TPFA/20	TPAV/20	20	36	24	4
TPA/26	TPFA/26	TPAV/26	26	41	28	4
TPA/30	TPFA/30		30	47	33	5