

STAINLESS STEEL ADJUSTABLE AIRMOVERS

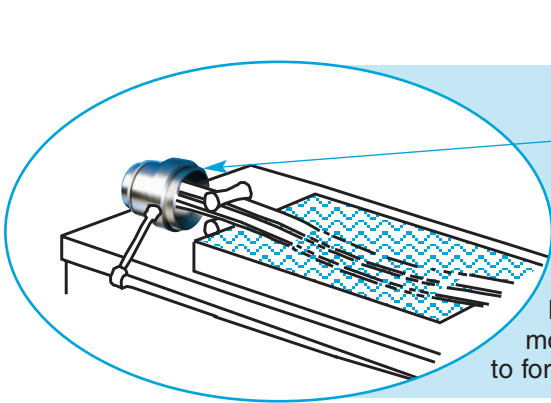
Airmover applications can exist even in the most hazardous of environments. Alternatively, the hygiene requirements of the food, pharmaceutical and other industries require product friendly tooling. In all of these extremes, stainless steel airmovers can offer a very viable solution. Our range is supplied to demanding customers worldwide and comes with an adjustable airgap.

So should your air amplifier be required to resist corrosive environments or be food product friendly, then Brauer has a stainless steel adjustable airmover to meet your needs.

Note: We also manufacture adjustable airmovers in Acetal and in certain applications these may be a suitable alternative to Stainless steel (See page 19)

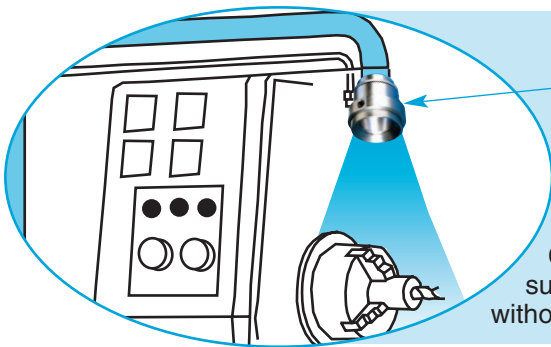
Optional mounting rings and magnetic base are available (see page 22).

SOME TYPICAL APPLICATIONS - STAINLESS STEEL ADJUSTABLE AIRMOVERS



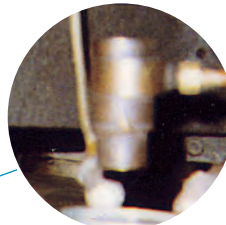
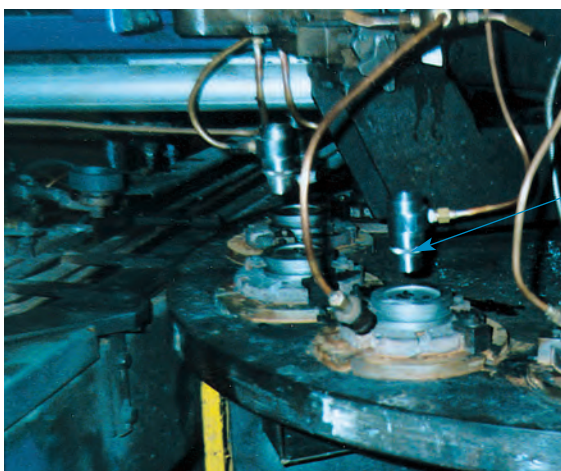
EXTRUSION - RUBBER MOULDING COOLING AND DRYING

Model SS75A stainless airmovers help set-up and cool this moulding after extrusion. Then blow off and dry the moulding prior to forming. Stainless steel is used in corrosive environments.



METALWORKING - COOLANT MIST REMOVAL

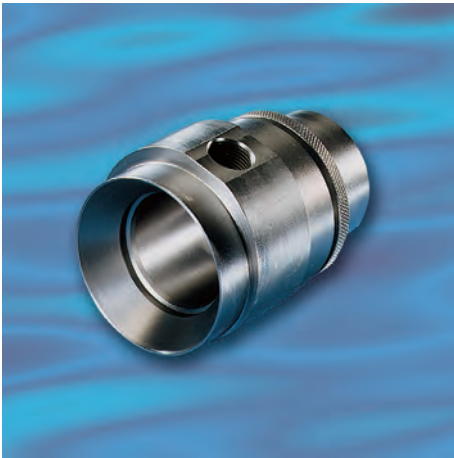
CNC machine with doors closed, oily mist often escapes to surrounding areas. The SS40A airmover solves the problem, without failure of electric motor or vacuum.



LENS MANUFACTURE

SS20A's used to cool optical lenses during manufacture.

SS10A STAINLESS STEEL ADJUSTABLE AIRMOVER



Material: Stainless Steel (Grade 304).

Weight: 0.27Kg

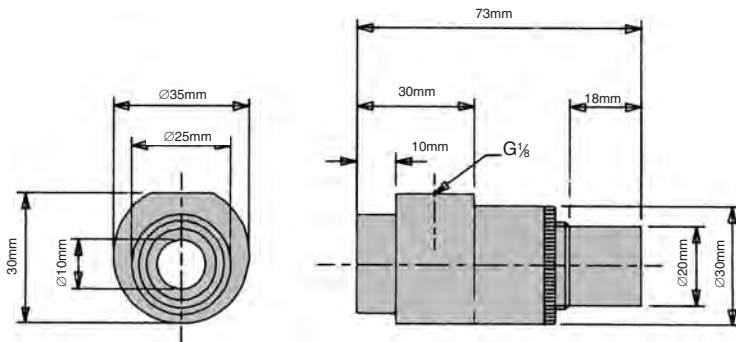
Standard Gap: Adjustable

dB(A) at: 5.5 bar is 72

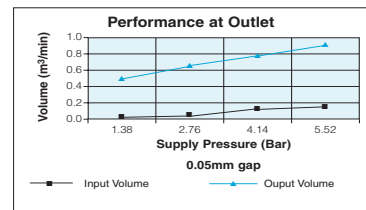
Shims: Not Applicable

Standard Inlet Thread: $G\frac{1}{8}$

Options: $\frac{1}{8}$ " NPT
Please specify on order $\frac{1}{8}$ " NPTF



Bar	Vol in m ³ /min	Vol out m ³ /min
1.38	0.048	0.490
2.76	0.065	0.660
4.14	0.125	0.733
5.52	0.164	0.886



PERFORMANCE DATA – DUCTED

METRIC	Back Pressure (mm water gauge) and guide to equivalent pipe length										
	125mm water gauge		250mm water gauge		375mm water gauge		500mm water gauge		625mm water gauge		
Supply Pressure kg/cm ²	Vi m ³ /min	Vc m ³ /min	Equiv. Pipe length m	Vo m ³ /min	Equiv. Pipe length m	Vo m ³ /min	Equiv. Pipe length m	Vo m ³ /min	Equiv. Pipe length m	Vo m ³ /min	Equiv. Pipe length m
2	.060	.26	7	.13	50	.20	37	.33	15	.13	-
3	.070	.47	2	.31	9	.36	10	.51	6	.37	14
4	.115	.64	1	.51	3	.54	4	.64	4	.58	6
5	.150	.76	1	.65	2	.72	3				
6	.180	.87	0.5	.78	2						

SS20A STAINLESS STEEL ADJUSTABLE AIRMOVER



Material: Stainless Steel (Grade 304).

Weight: 0.39Kg

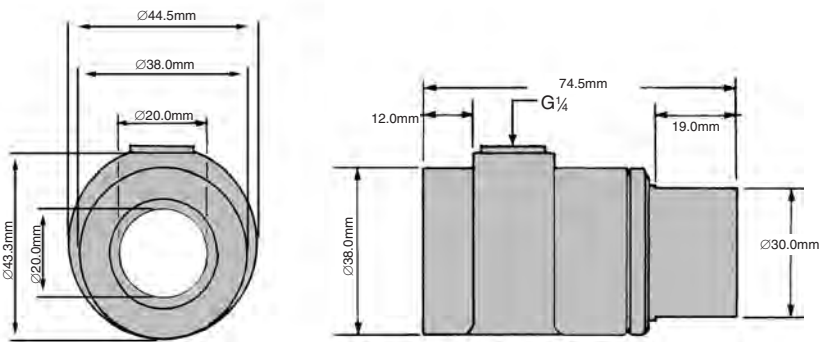
Standard Gap: Adjustable

dB(A) at: 5.5 bar is 78

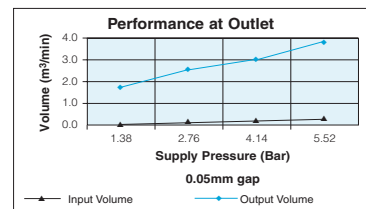
Shims: Not Applicable

Standard Inlet Thread: $G\frac{1}{4}$

Options: $\frac{1}{4}$ " NPT
Please specify on order $\frac{1}{4}$ " NPTF



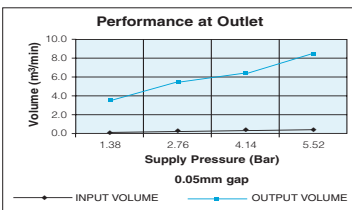
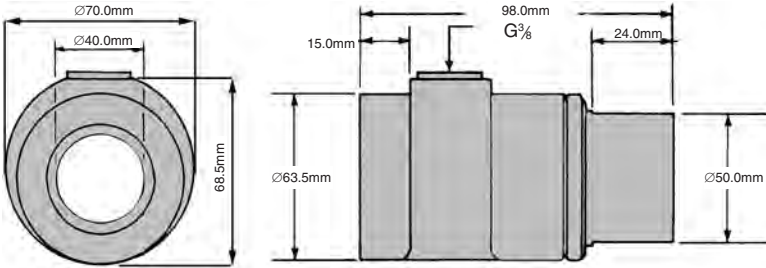
Bar	Vol in m ³ /min	Vol out m ³ /min
1.38	0.105	1.614
2.76	0.164	2.492
4.14	0.224	3.030
5.52	0.286	3.681



PERFORMANCE DATA – DUCTED

METRIC	Back Pressure (mm water gauge) and guide to equivalent pipe length										
	50mm water gauge		100mm water gauge		150mm water gauge		200mm water gauge		250mm water gauge		
Supply Pressure kg/cm ²	Vi m ³ /min	Vc m ³ /min	Equiv. Pipe length m	Vo m ³ /min	Equiv. Pipe length m	Vo m ³ /min	Equiv. Pipe length m	Vo m ³ /min	Equiv. Pipe length m	Vo m ³ /min	Equiv. Pipe length m
2	.125	.91	2.0	.59	9	.85	7	.62	18	.74	16
3	.170	1.42	0.8	1.03	3	1.25	3	1.05	6	1.22	6
4	.210	1.90	0.4	1.46	2	1.70	2	1.51	3	1.78	3
5	.265	2.55	0.3	1.98	1	2.18	1	2.04	2		
6	.295	3.45	0.2	2.75	0.5						

STAINLESS STEEL ADJUSTABLE AIRMOVER SS40A



Bar	Vol in m³/min	Vol out m³/min
1.38	0.207	3.256
2.76	0.323	5.182
4.14	0.439	6.513
5.52	0.555	8.297

PERFORMANCE DATA – DUCTED

METRIC	Back Pressure (mm water gauge) and guide to equivalent pipe length										
	50mm water gauge			100mm water gauge		150mm water gauge		200mm water gauge		250mm water gauge	
Supply Pressure kg/cm ²	Vi m³/min	Vc m³/min	Equiv. Pipe length m	Vo m³/min	Equiv. Pipe length m	Vo m³/min	Equiv. Pipe length m	Vo m³/min	Equiv. Pipe length m	Vo m³/min	Equiv. Pipe length m
2	.26	1.22	10	1.00	29						
3	.36	1.97	4	1.44	14	1.16	34				
4	.42	2.88	2	2.20	6	1.75	15	1.00	58		
5	.50	4.14	1	3.08	3	2.49	7	1.80	18	1.33	43
6	.58	5.41	0.6	4.25	2	3.20	5	2.63	9	2.20	15



Material: Stainless Steel (Grade 304)

Weight: 0.84Kg

Standard Gap: Adjustable

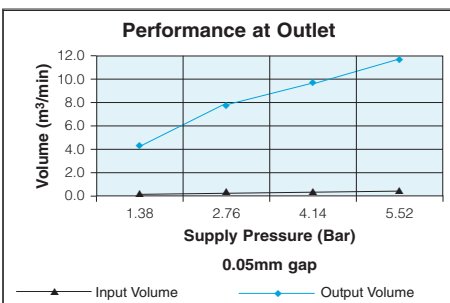
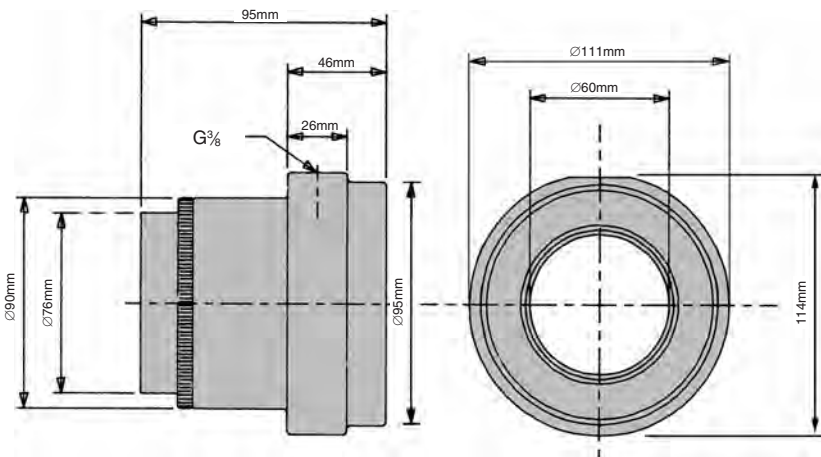
dB(A) at: 5.5 bar is 80

Shims: Not applicable

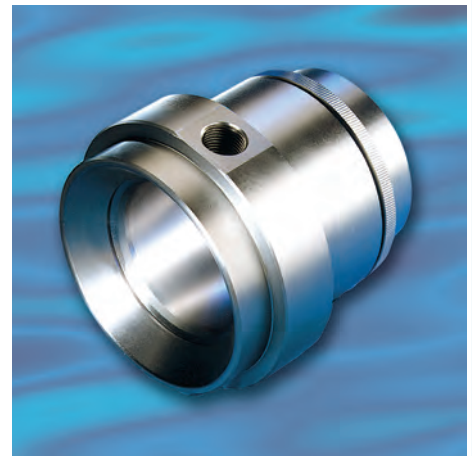
Standard Inlet Thread: G $\frac{3}{8}$

Options: $\frac{3}{8}$ " NPT
Please specify on order $\frac{3}{8}$ " NPTF

STAINLESS STEEL ADJUSTABLE AIRMOVER SS60A



Bar	Vol in m³/min	Vol out m³/min
1.38	0.280	4.191
2.76	0.476	7.561
4.14	0.654	9.231
5.52	0.841	11.327



Material: Stainless Steel (Grade 304)

Weight: 2.9Kg

Standard Gap: Adjustable

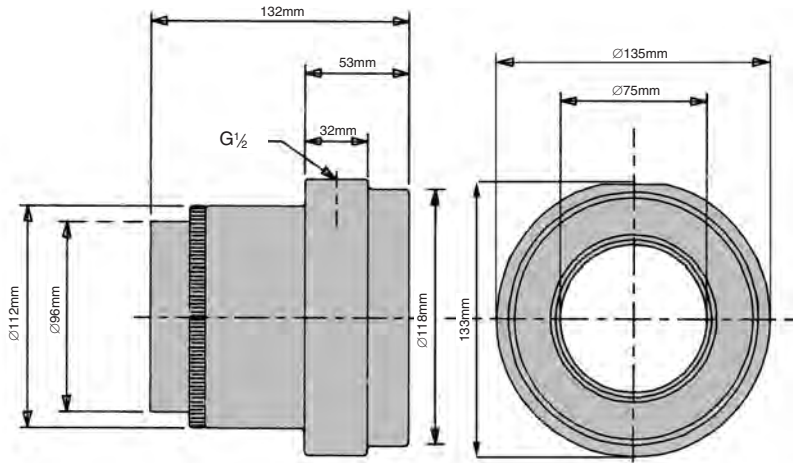
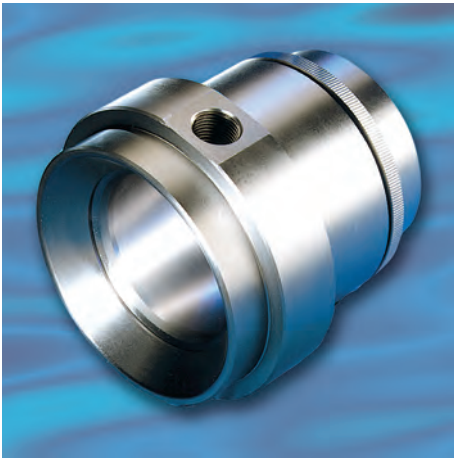
dB(A) at: 5.5 bar is 80

Shims: Not Applicable

Standard Inlet Thread: G $\frac{3}{8}$

Options: $\frac{3}{8}$ " NPT
Please specify on order $\frac{3}{8}$ " NPTF

SS75A STAINLESS STEEL ADJUSTABLE AIRMOVER MODEL



Material: Stainless Steel (Grade 304)

Weight: 4.5Kg

Standard Gap: Adjustable

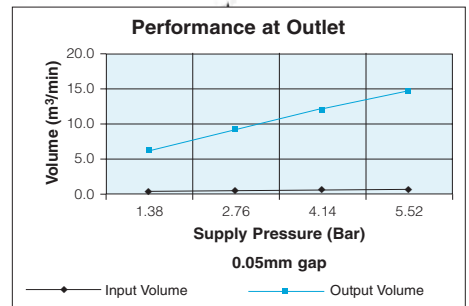
dB(A) at: 5.5 bar is 81

Shims: Not applicable

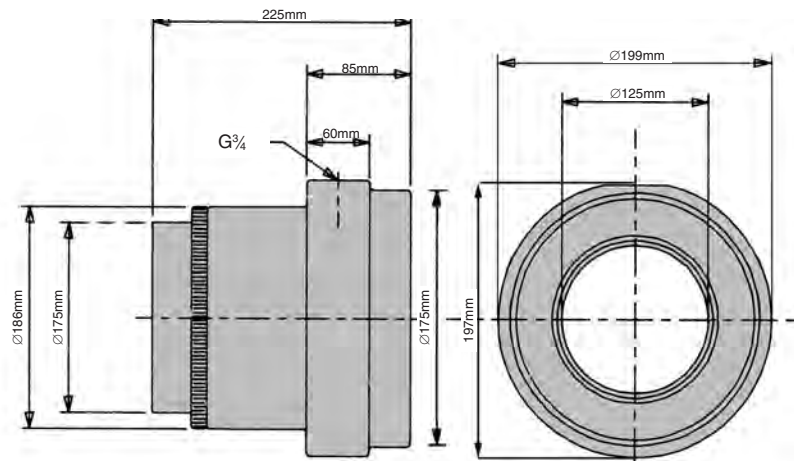
Standard Inlet Thread: G $\frac{1}{2}$

Options: $\frac{1}{2}$ " NPT
Please specify on order $\frac{1}{2}$ " NPTF

Bar	Vol in m ³ /min	Vol out m ³ /min
1.38	0.425	6.230
2.76	0.651	9.203
4.14	0.906	12.035
5.52	1.133	14.866



SS125A STAINLESS STEEL ADJUSTABLE AIRMOVER MODEL



Material: Stainless Steel (Grade 304)

Weight: 16.3Kg

Standard Gap: Adjustable

dB(A) at: 5.5 bar is 85

Shims: Not applicable

Standard Inlet Thread: G $\frac{3}{4}$

Options: $\frac{3}{4}$ " NPT
Please specify on order $\frac{3}{4}$ " NPTF

Bar	Vol in m ³ /min	Vol out m ³ /min
1.38	1.982	38.936
2.76	3.115	53.660
4.14	4.276	68.668
5.52	5.324	80.137

