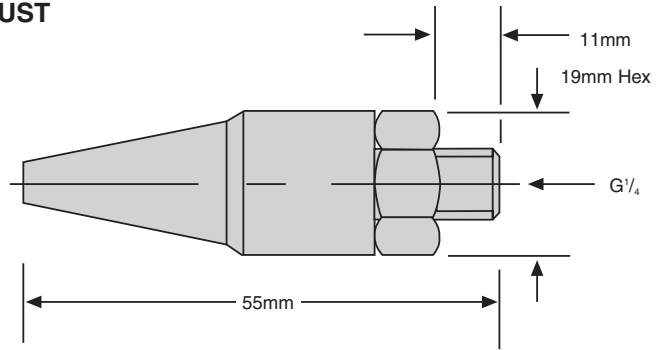


A4 BLOWHARD AIRMISER NOZZLE



HIGH THRUST



Material: Aluminium.

Weight: 0.025kg

dB(A) at: 5.5 bar is 83

Inlet Thread: G $\frac{1}{4}$

Uses and Advantages

Heavy duty parts ejection. Cooling and drying. Economical and quiet.

Bar	Vol in m ³ /min	Thrust (kg)
3.45	0.43	0.38
4.14	0.52	0.45
4.83	0.61	0.52

