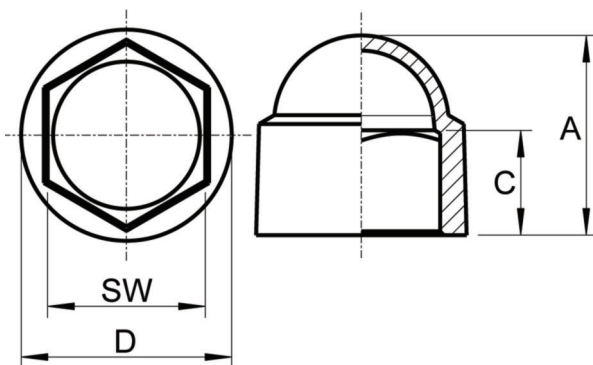


34000214

PROTECTOR PARA TORNILLOS Y TUERCAS HEXAGONALES



Código	Para Tornillo	A	C	SW	D
34000214001	M 4	9.4	6.3	7	10.7
34000214002	M 5	9.5	5.9	8	10.6
34000214003	M 6	12.5	5.7	9.8	12.8
34000214004	M 8	16.5	8.4	13	16.6
34000214006	M10	19.5		16	
34000214005	M 10	18.8	9.4	16.7	20.9
34000214007	M 12	21.5	11.1	18.8	23.5
34000214008	M 14	26.7	14	21	27.1
34000214009	M 16	26.9	13.7	23.9	29.4
34000214010	M 18	30.3	17.4	26.5	33.3
34000214011	M 20	36.2	19.2	29	37.6
34000214012	M 22	36	20	31.3	38.9
34000214013	M 24	39.3	20.2	34.5	43.9
34000214014	M 27	46.5	24.1	41	50
34000214015	M 30	52.6	26.8	45.8	56.3
34000214016	M 33	56.2	28.3	48.7	59.5
34000214017	M 36	64	32	54.1	66.5
34000214018	M 39	61	34.6	59.5	72
34000214019	M 42	63.1	36.6	64	76.6
34000214020	M 45	88.4	34.5	68.4	84

Material: PE Polietileno.

Color: Negro, Blanco y Gris.

Consultar cantidades mínimas..

