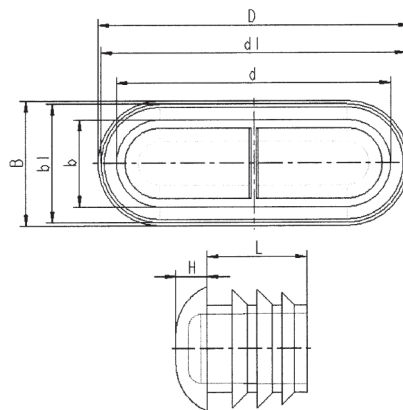


34000129 CONTRERA VISUAL PARA TUBOS OVALADOS



Código	Para tubo	DxB	H	dx b	L	d1xb1
34000129001	30x15x1,5-2	30,0x15,0	4,0	24,0x9,0	16,0	27,5x12,5
34000129002	35x15x1,5-2	35,0x15,0	4,5	27,5x8,0	12,0	33,5x13,9
34000129003	38x20x1,5-2	38,0x20,0	4,5	32,5x14,2	12,0	37,5x19,2
34000129004	40x20x1,5-2	40,0x20,0	5,0	34,0x14,0	12,0	39,0x18,5
34000129005	50x20x1,5-2	50,0x20,0	5,0	44,0x14,0	12,0	49,0x18,7
34000129006	60x30x1,5-2	60,0x30,0	8,0	54,5x24,0	13,5	58,1x28,1

Material: PE

Color: Negro.

Consultar cantidades mínimas.