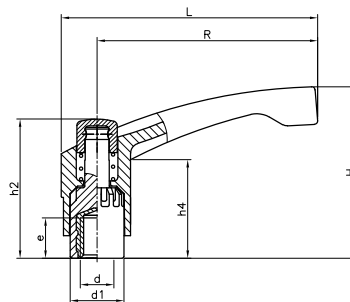


110098K EMPUÑADURA GRADUABLE CON CASQUILLO ROSCADO



■	RAL 7021
■	RAL 2004
■	RAL 3001
■	RAL 5005
■	RAL 1021

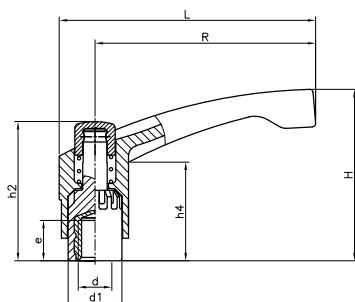


Casquillo roscado de latón.
PA: Poliamida reforzada.
Muelle de acero inoxidable.

Empuñadura Negra				Empuñadura Naranja		R	L	H	d	e	h4	d1	h2
Botón Negro	Botón Naranja	Botón Rojo	Botón Amarillo	Botón Negro	Botón Naranja								
11009841301	11009842301	11009845301	11009851301	11009843301	11009847301	43	51	38	M4	8	23	13	33
11009841302	11009842302	11009845302	11009851302	11009843302	11009847302	43	51	38	M5	9	23	13	33
11009841303	11009842303	11009845303	11009851303	11009843303	11009847303	43	51	38	M6	10	23	13	33
11009861301	11009862301	11009865301	11009871301	11009863301	11009867301	65	75	48	M6	10	26	16	42
11009861302	11009862302	11009865302	11009871302	11009863302	11009867302	65	75	48	M8	14	26	16	42
11009861303	11009862303	11009865303	11009871303	11009863303	11009867303	65	75	48	M10	13	26	16	42
11009881301	11009882301	11009885301	11009891301	11009883301	11009887301	85	98	63	M8	14	34	20	51
11009881302	11009882302	11009885302	11009891302	11009883302	11009887302	85	98	63	M10	17	34	20	51
11009881303	11009882303	11009885303	11009891303	11009883303	11009887303	85	98	63	M12	19	34	20	51

Empuñadura Roja		Empuñadura Azul		R	L	H	d	e	h4	d1	h2
Botón Negro	Botón Rojo	Botón Negro	Botón Azul								
11009846301	11009840301	11009849301	11009848301	43	51	38	M4	8	23	13	33
11009846302	11009840302	11009849302	11009848302	43	51	38	M5	9	23	13	33
11009846303	11009840303	11009849303	11009848303	43	51	38	M6	10	23	13	33
11009866301	11009860301	11009869301	11009868301	65	75	48	M6	10	26	16	42
11009866302	11009860302	11009869302	11009868302	65	75	48	M8	14	26	16	42
11009866303	11009860303	11009869303	11009868303	65	75	48	M10	13	26	16	42
11009886301	11009880301	11009889301	11009888301	85	98	63	M8	14	34	20	51
11009886302	11009880302	11009889302	11009888302	85	98	63	M10	17	34	20	51
11009886303	11009880303	11009889303	11009888303	85	98	63	M12	19	34	20	51

110098K EMPUÑADURA GRADUABLE CON CASQUILLO ROSCADO EN INOX



Código	R	L	H	d	e	h4	d1	h2
11009841305	43	51	38	M6	10	23	13	33
11009861305	65	75	48	M6	10	26	16	42
11009861306	65	75	48	M8	14	26	16	42
11009881305	85	98	63	M10	17	34	20	51

Casquillo roscado en acero inoxidable AISI-303.
PA: Poliamida reforzada.
Muelle de acero inoxidable.

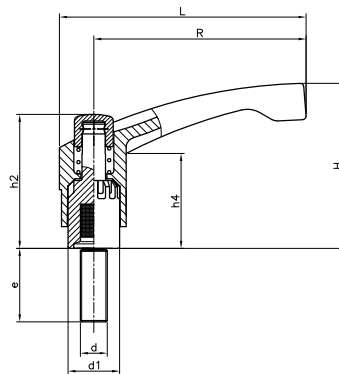
■ RAL 7021 Negro



110098T EMPUÑADURA GRADUABLE CON ESPIGA ROSCADA



- RAL 7021
- RAL 2004
- RAL 3001
- RAL 5005
- RAL 1021



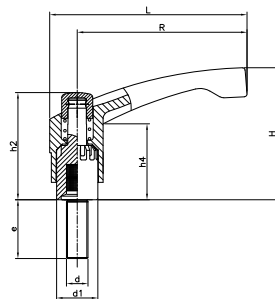
Espiga roscada de acero tratado.
PA: Poliamida reforzada.
Muelle de acero inoxidable.

Empuñadura Negra				Empuñadura Naranja		R	L	H	d	e	h4	d1	h2
Botón Negro	Botón Naranja	Botón Rojo	Botón Amarillo	Botón Negro	Botón Naranja								
11009841503	11009842503	11009845503	11009851503	11009843503	11009847503	43	51	38	M5	10	23	13	33
11009841504	11009842504	11009845504	11009851504	11009843504	11009847504	43	51	38	M5	20	23	13	33
11009841505	11009842505	11009845505	11009851505	11009843505	11009847505	43	51	38	M6	15	23	13	33
11009841506	11009842506	11009845506	11009851506	11009843506	11009847506	43	51	38	M6	25	23	13	33
11009841507	11009842507	11009845507	11009851507	11009843507	11009847507	43	51	38	M6	40	23	13	33
11009861501	11009862501	11009865501	11009871501	11009863501	11009867501	65	75	48	M6	15	26	16	42
11009861502	11009862502	11009865502	11009871502	11009863502	11009867502	65	75	48	M6	20	26	16	42
11009861503	11009862503	11009865503	11009871503	11009863503	11009867503	65	75	48	M6	30	26	16	42
11009861504	11009862504	11009865504	11009871504	11009863504	11009867504	65	75	48	M6	40	26	16	42
11009861523	11009862523	11009865523	11009871523	11009863523	11009867523	65	75	48	M8	15	26	16	42
11009861506	11009862506	11009865506	11009871506	11009863506	11009867506	65	75	48	M8	20	26	16	42
11009861507	11009862507	11009865507	11009871507	11009863507	11009867507	65	75	48	M8	33	26	16	42
11009861508	11009862508	11009865508	11009871508	11009863508	11009867508	65	75	48	M8	47	26	16	42
11009861511	11009862511	11009865511	11009871511	11009863511	11009867511	65	75	48	M10	20	26	16	42
11009861512	11009862512	11009865512	11009871512	11009863512	11009867512	65	75	48	M10	30	26	16	42
11009861513	11009862513	11009865513	11009871513	11009863513	11009867513	65	75	48	M10	40	26	16	42
11009881501	11009882501	11009885501	11009891501	11009883501	11009887501	85	98	63	M8	20	34	20	51
11009881502	11009882502	11009885502	11009891502	11009883502	11009887502	85	98	63	M8	33	34	20	51
11009881503	11009882503	11009885503	11009891503	11009883503	11009887503	85	98	63	M8	47	34	20	51
11009881504	11009882504	11009885504	11009891504	11009883504	11009887504	85	98	63	M10	20	34	20	51
11009881505	11009882505	11009885505	11009891505	11009883505	11009887505	85	98	63	M10	30	34	20	51
11009881506	11009882506	11009885506	11009891506	11009883506	11009887506	85	98	63	M10	40	34	20	51
11009881507	11009882507	11009885507	11009891507	11009883507	11009887507	85	98	63	M12	30	34	20	51
11009881508	11009882508	11009885508	11009891508	11009883508	11009887508	85	98	63	M12	40	34	20	51
11009881509	11009882509	11009885509	11009891509	11009883509	11009887509	85	98	63	M12	60	34	20	51

Empuñadura Roja		Empuñadura Azul		R	L	H	d	e	h4	d1	h2
Botón Negro	Botón Rojo	Botón Negro	Botón Azul								
11009846503	11009840503	11009849503	11009848503	43	51	38	M5	10	23	13	33
11009846504	11009840504	11009849504	11009848504	43	51	38	M5	20	23	13	33
11009846505	11009840505	11009849505	11009848505	43	51	38	M6	15	23	13	33
11009846506	11009840506	11009849506	11009848506	43	51	38	M6	25	23	13	33
11009846507	11009840507	11009849507	11009848507	43	51	38	M6	40	23	13	33
11009866501	11009860501	11009869501	11009868501	65	75	48	M6	15	26	16	42
11009866502	11009860502	11009869502	11009868502	65	75	48	M6	20	26	16	42
11009866503	11009860503	11009869503	11009868503	65	75	48	M6	30	26	16	42
11009866504	11009860504	11009869504	11009868504	65	75	48	M6	40	26	16	42
11009866523	11009860523	11009869523	11009868523	65	75	48	M8	15	26	16	42
11009866506	11009860506	11009869506	11009868506	65	75	48	M8	20	26	16	42
11009866507	11009860507	11009869507	11009868507	65	75	48	M8	33	26	16	42
11009866508	11009860508	11009869508	11009868508	65	75	48	M8	47	26	16	42
11009866511	11009860511	11009869511	11009868511	65	75	48	M10	20	26	16	42
11009866512	11009860512	11009869512	11009868512	65	75	48	M10	30	26	16	42
11009866513	11009860513	11009869513	11009868513	65	75	48	M10	40	26	16	42

Empuñadura Roja		Empuñadura Azul		R	L	H	d	e	h4	d1	h2
Botón Negro	Botón Rojo	Botón Negro	Botón Azul								
11009886501	11009880501	11009889501	11009888501	85	98	63	M8	20	34	20	51
11009886502	11009880502	11009889502	11009888502	85	98	63	M8	33	34	20	51
11009886503	11009880503	11009889503	11009888503	85	98	63	M8	47	34	20	51
11009886504	11009880504	11009889504	11009888504	85	98	63	M10	20	34	20	51
11009886505	11009880505	11009889505	11009888505	85	98	63	M10	30	34	20	51
11009886506	11009880506	11009889506	11009888506	85	98	63	M10	40	34	20	51
11009886507	11009880507	11009889507	11009888507	85	98	63	M12	30	34	20	51
11009886508	11009880508	11009889508	11009888508	85	98	63	M12	40	34	20	51
11009886509	11009880509	11009889509	11009888509	85	98	63	M12	60	34	20	51

110098T EMPUÑADURA GRADUABLE CON ESPIGA ROSCADA EN INOX



Código	R	L	H	d	e	h4	d1	h2
11009841508	43	51	38	M6	16	23	13	33
11009861515	65	75	48	M6	16	26	16	42
11009861516	65	75	48	M8	20	26	16	42
11009861517	65	75	48	M8	40	26	16	42
11009881515	85	98	63	M10	20	34	20	51
11009881516	85	98	63	M10	30	34	20	51
11009881517	85	98	63	M12	30	34	20	51
11009881518	85	98	63	M12	50	34	20	51

Espiga roscada en acero inoxidable AISI-303.

PA: Poliamida reforzada.

Muelle de acero inoxidable.

 RAL 7021 Negro

INOX
Acero
Inoxidable